

Message from CEO



Dear Partners,

Plant of Block Constructions and Technologies is a stable and rapidly developing company doing complete manufacturing cycle of metering dosing pumps API standart.

Our goal: to be reliable, dependable global supplier of metering dosing pumps and skid mounted dosing systems for process industries not only for Russian market but all over the globe.

Sincerely yours,
Anatoly Pilipaka



Company Profile



100% private family company.

Year of foundation: 2016

Number of employees: 15

Total annual turnover 2018: 5.139 million USD

Location: Moscow region, Tula region, Tyumen region, Samara region

Main business: Manufacturer

Additional business: Trader, Exporter, Importer, Service provider

Our infrastructure

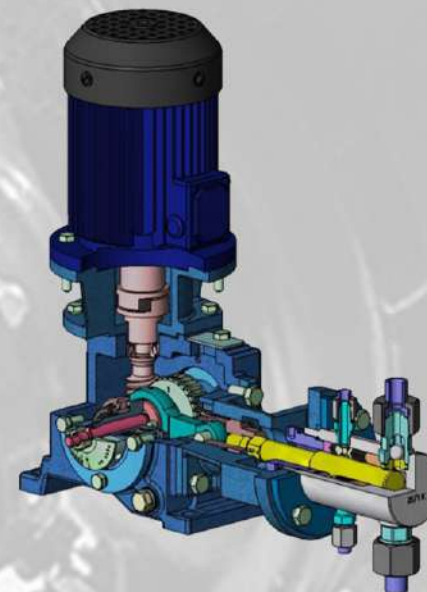


Plunger metering dosing pumps

API674 standard with power from 0,25 kW up to 11 kW

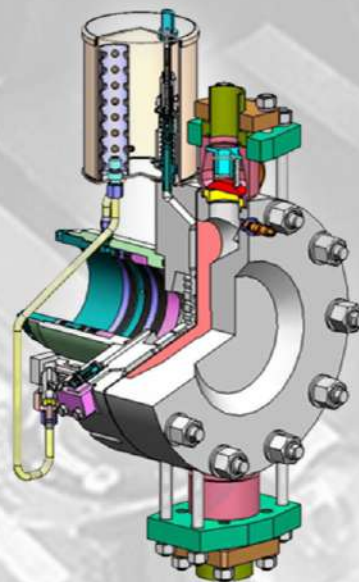
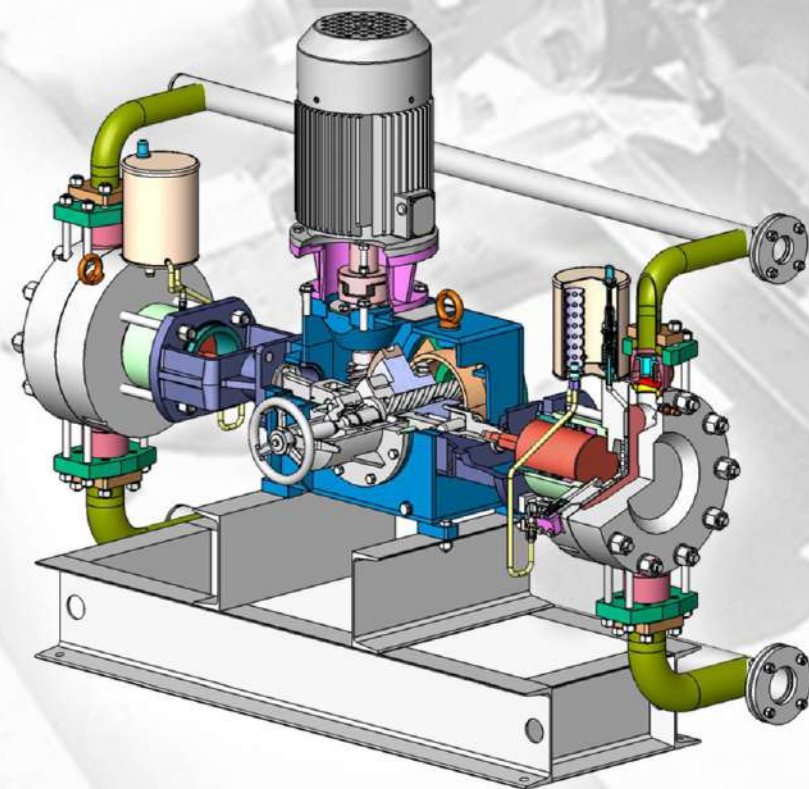
Capacity, l/h	Pump drive output , kW											
	0,25	0,37	0,55	0,75	1,1	1,5	2,2	3,0	4,0	5,5	7,5	
	Pump discharge pressure, kgf/cm ²											
0,4	100											
	400											
0,63	100											
	400											
1,0	100											
	400											
1,25	100											
	400											
1,6	100											
	400											
2,5	100											
	400											
4,0	100	400										
	250											
6,3	100	250	400									
	160											
10	100	160	250	400								
16	63	100	160	250	400							
25	40	63	100	160	250	400						
40	25	40	63	100	160	250	400					
63	16	25	40	63	100	160	250	400				
100	10	16	25	40	63	100	160	250		400		
160	6,3	10	16	25	40	63	100	160		250	320	
250	4,0	6,3	10	16	25	40	63	100		160	250	
400	2,5	4,0	6,3	10	16	25	40	63		100	160	
500		3,2	5,0	8,0	12	20	32	50		80	125	
630		2,5	4,0	6,3	10	16	25	40		63	100	
800		2,0	3,2	5,0	8,0	12	20	32		50	63	
1000			2,5	4,0	6,3	10	16	25	32	40	63	100
1250			2,5	3,2	5,0	0,8	12	20	25	32	50	80
1600				2,5	4,0	6,3	10	16	20	25	40	63
2000						5,0	0,8	12	16	20	32	50
2500						4,0	6,3	10	12	16	25	40
3200						3,2	5,0	6,3	10	12	20	32
4000						2,5	4,0	5,0	8,0	10	16	25
5000							3,2	4,0	6,3	8,0	12	20
6300								3,2	5,0	6,3	10	16
8000									4,0	5,0	8,0	12
10000									3,2	4,0	6,3	10
12500										2,5	5,0	8,0
16000											4,0	6,3

We do replacement of
Milton Roy, Prominent
and others.



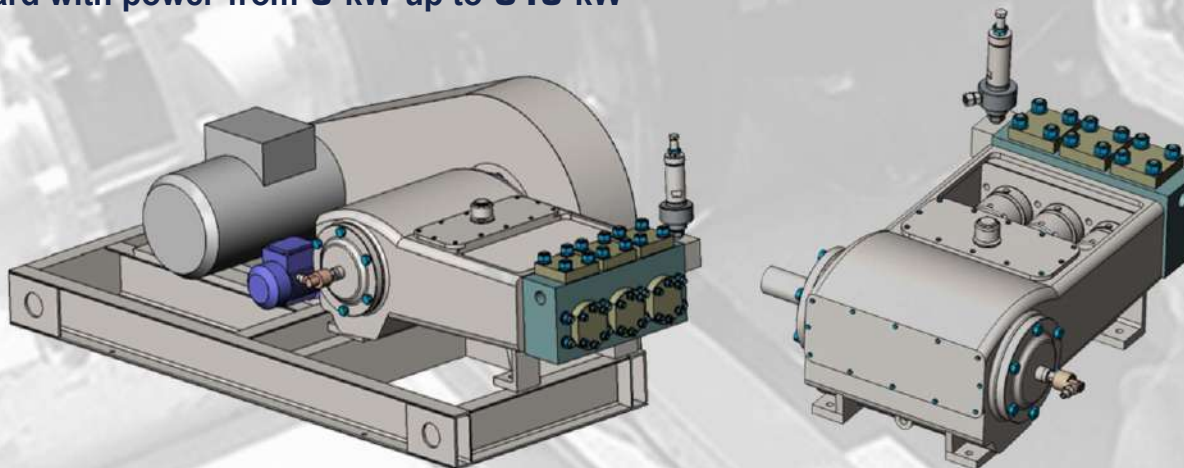
Diaphragm metering pumps

API675 standard with power from 0,25 kW up to 11 kW

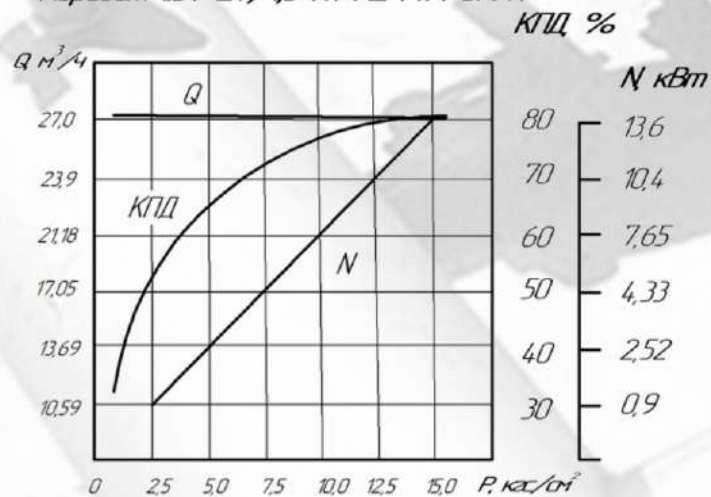


Triple plunger pumps

API674 standard with power from 5 kW up to 315 kW

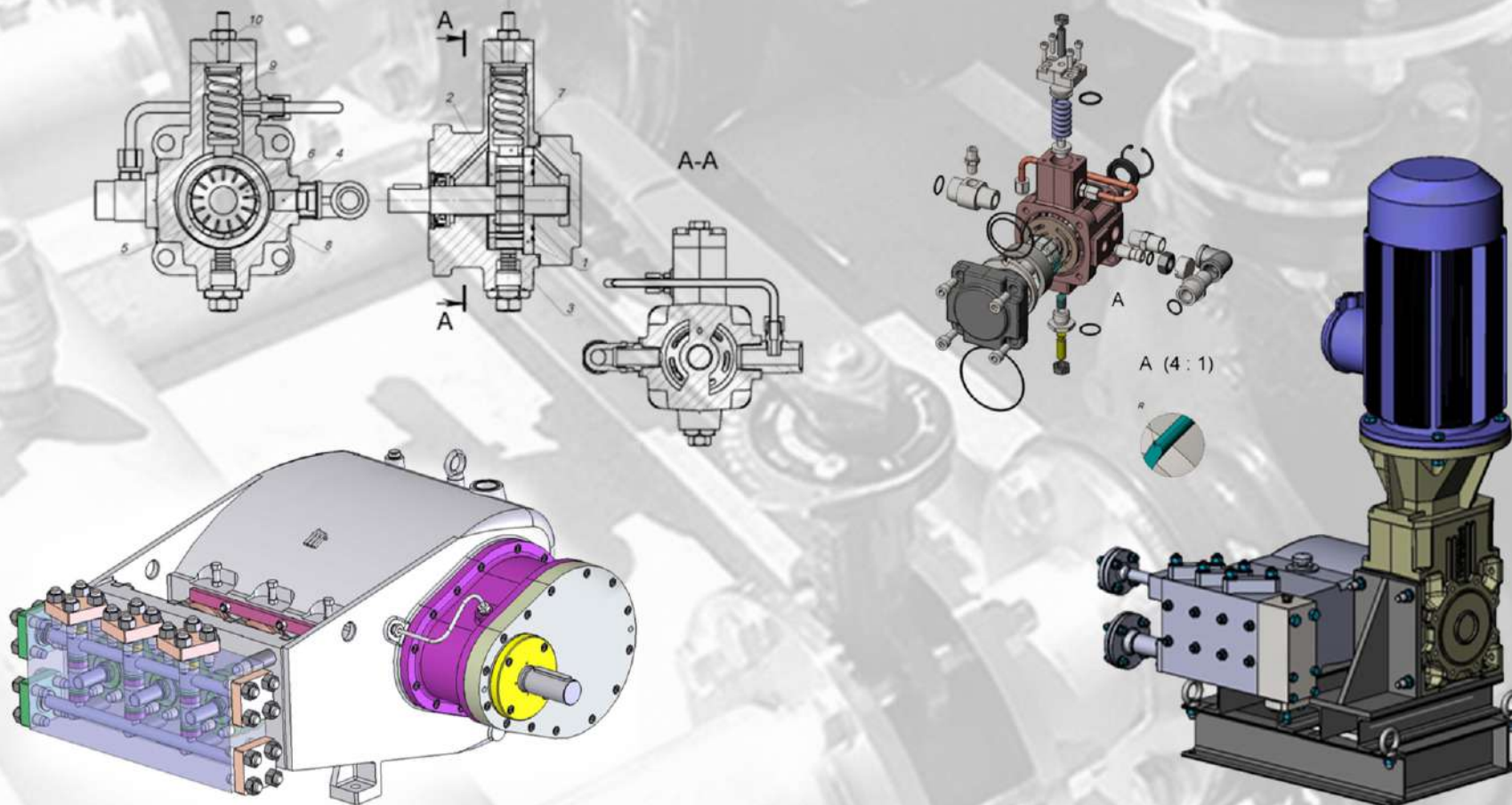


Агрегат 13Т-27/15-К1-А2-МГ1-УХЛ4



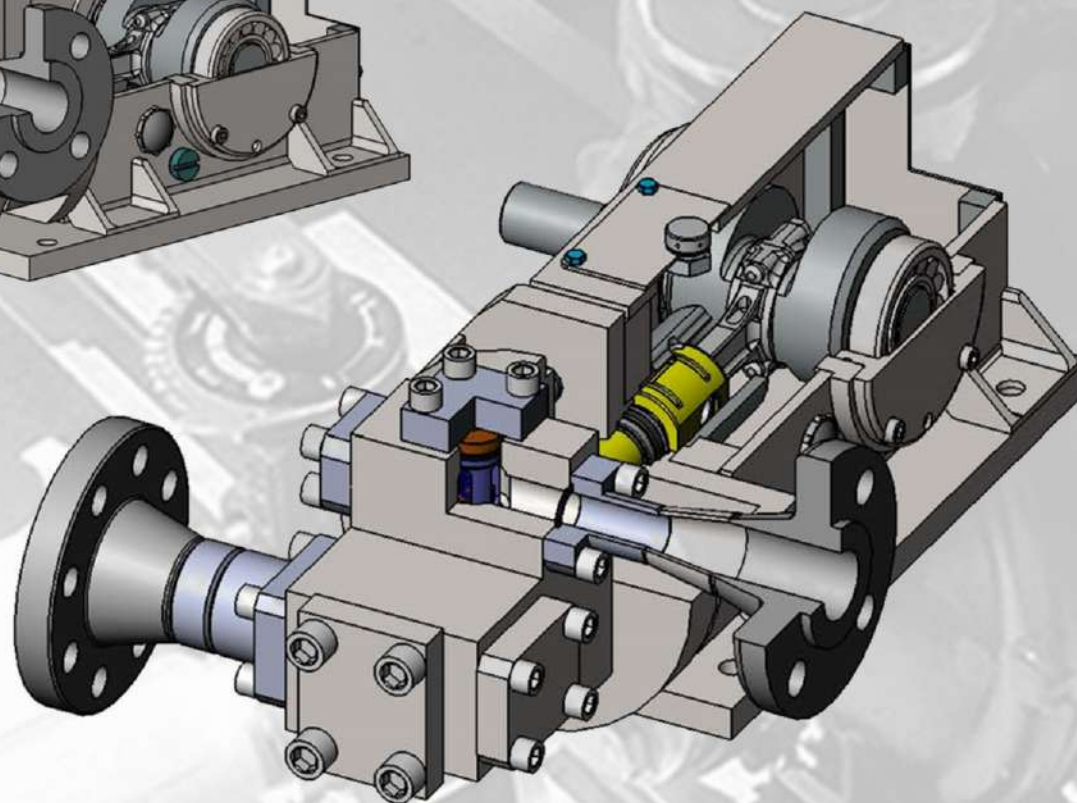
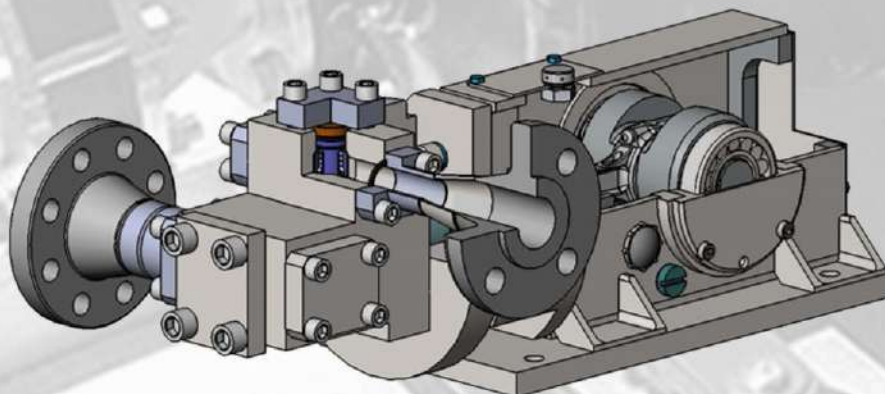
Plunger metering pumps

API674 standard pumps – own manufactured components for non-standard equipment.

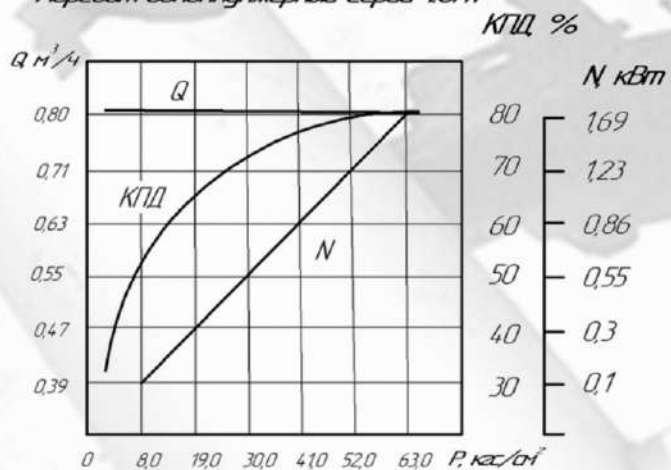


NEW dosing pumps

API674 standard with power from **1,1 kW** up to **15 kW**
as a replacement of US **Clyde Union** pump with efficiency **80%** and
minimum dimensions

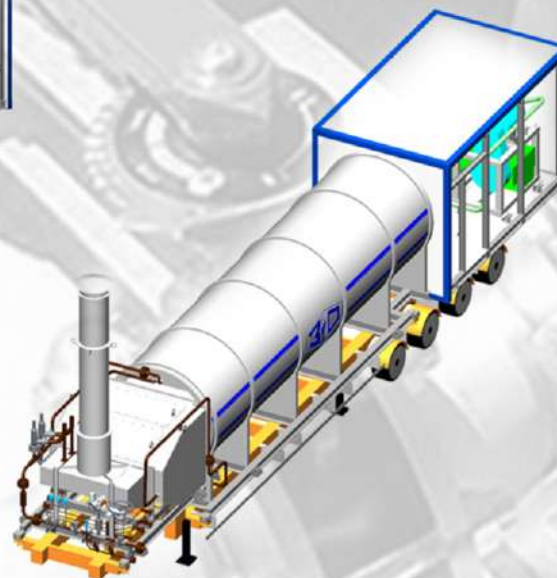


Агрегат одноцилиндрный серии 10ПТ



Mobile steam generator

For wells development installation using plunger assembly (API674)



Triple plunger pumps

for Gazprom Dobycha Nadim (API674)



Triple plunger pumps

For JSC ROSNEFT (API674)



Dosing metering pumps

ITER project, International Thermonuclear Experimental Reactor through Cryogenmash company

EN certificates 2006/42/EC, EN 60204-1:2006/A1:2009, EN ISO 12100:2010, EN 349:1993+A1:2008, EN ISO 13857:2008, EN 809+A1: 2010



Control units

For high-precision flow control and control of plunger pumps. This is a reliable solution to the problems of creating plunger pumping units of any level of complexity.
IP67, EXDIIBT4

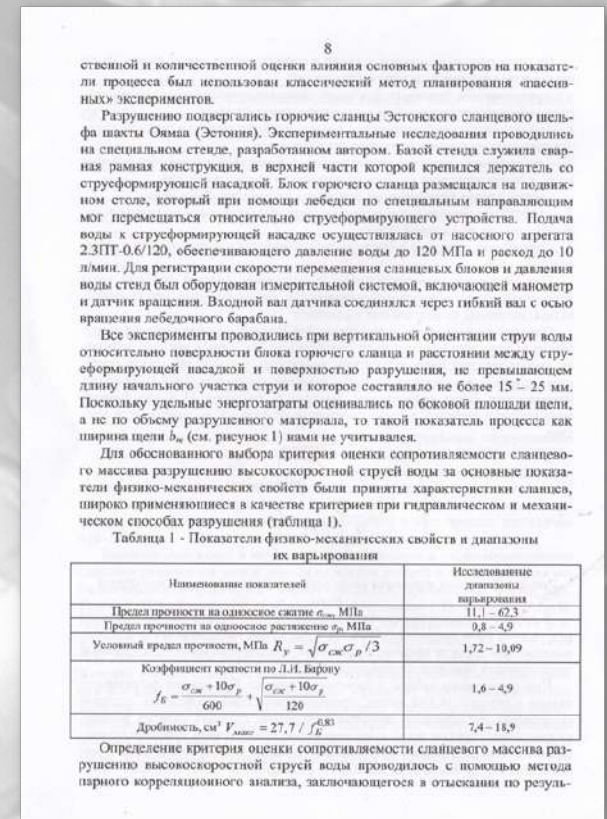
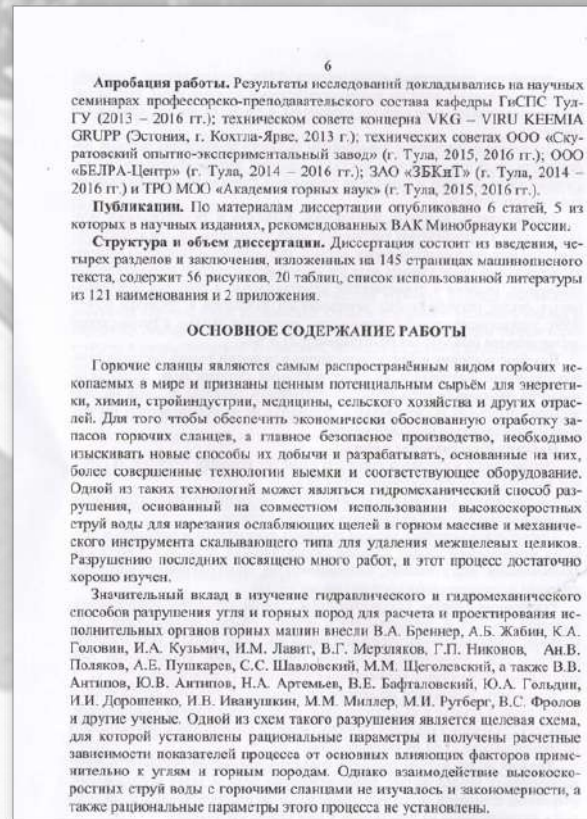
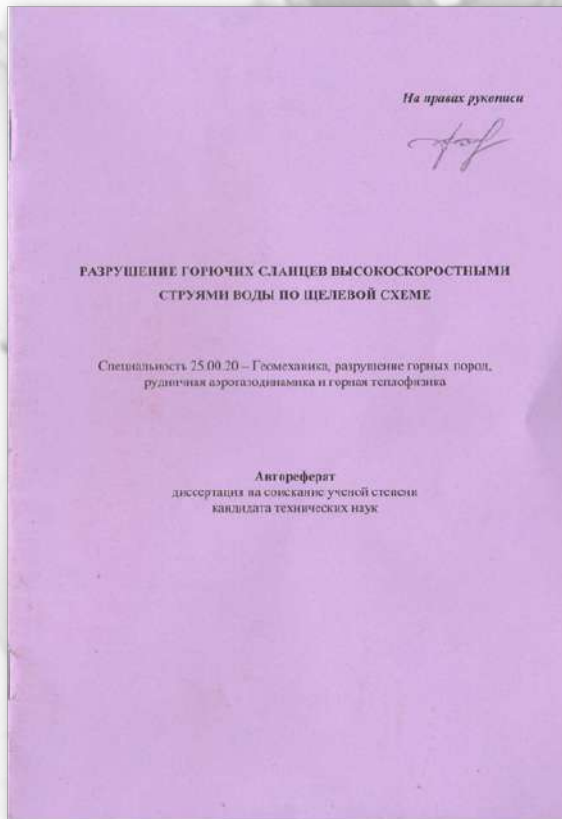


GAZPROM Underground gas storage project



Pump equipment in underground gas storages. Supply, service and repairment.





Development projects

Our company has developed technology for continuous production of temperature activated water



Our geography



We cooperate with the main end-users of Russian Federation: «ROSNEFT», «GAZPROM», «LUKOIL», «GAZPROMNEFT», «SURGUTNEFTEGAZ», «TANEFT», «NOVATEK», and others.



OUR export experience:

- Bosnia and Herzegovina (Rafinerija nafte Brod)
- Uzbekistan (LUKOIL Uzbekistan Operating Company)
- France (ITER through Cryogenmash)
- Serbia (NIS)

Certification



All manufactured and supplied products comply with the Highest European and Russian quality standards:

- Customs Union Technical Regulations **TP TC 010/2011** – certificate
- Customs Union Technical Regulations **TP TC 012/2011** – certificate
- Customs Union Technical Regulations **TP TC 020/2011** – declaration
- Customs Union Technical Regulations **TP TC 004/2011** – declaration
- Quality management system **ISO 9001:2000** – certificate
- **EN 60204-1/ EN 61010-1**
- **API 674 / API 675**



Contacts



Address: Bolotnikovskata str. 36/6/205

Tel: +7 (977) 810-28-80

Web- site: www.zbkit.ru

- **Secretary:**
- **Administration:**
- **Contract department:**
- **Sales department:**
- **Service department:**
- **Design department:**
- **Gauge and instrumental:**
- **Technologist:**
- **Quality:**
- **Purchase department:**
- **Accountant:**
- **Marketing department:**
- **HR department:**
- **Logistics department:**
- **Finance department:**

info@zbkit.ru
admin@zbkit.ru
contract@zbkit.ru
sales@zbkit.ru
service@zbkit.ru
design@zbkit.ru
gauge@zbkit.ru
tech@zbkit.ru
otk@zbkit.ru
purchase@zbkit.ru
account@zbkit.ru
marketing@zbkit.ru
hr@zbkit.ru
logistics@zbkit.ru
finance@zbkit.ru



ЗБКИТ

ЗАВОД БЛОЧНЫХ КОНСТРУКЦИЙ
И ТЕХНОЛОГИЙ

THANK YOU FOR ATTENTION